

# SPIERINGS KRANEN

**Merk:** **SPIERINGS**      **Type:** **SK377-AT3**

## CRANE IDENTIFICATION

Serial number:

Year of construction:

Crane group : 3 as per NEN 2018  
 Loadspectrum : 2 as per NEN 2018  
 Classification : A as per NEN 2018  
 Stability : as per NEN 2022

Identifacation-  
number  
**70 tm**

Max. load  
**7,5 tonne**

Max. radius  
with max. load  
**10,4 m**

Max. capacity  
**78 tm**

Max. jib lenght  
**33 m**

### Speeds

Jib horizontal/ jib 30° luffed

	m/min	kg
	18	7500
	27	3750
	36	1875
	60	0



0 - 70 m/min

0 -1 rpm

All motions with hydraulic proportional controls  
 Luffing the jib 30° can be controlled from crane cab or via remote control

Driving with erected tower and jib, only with the jib horizontal and positioned over the front carriage, platform locked to the carrier and the outriggers fully extended (max. inclination 2°)

Rated lifting capacity is net capacity

Crane equipped with full counterweight: 6550kg

360° continuous slewing, with outriggers out and down  
 2 Outriggers positions: according to lifting chart

Operation allowed up to a windforce of 8 on the Beaufortscale. (wind speed 17 m/sec.)

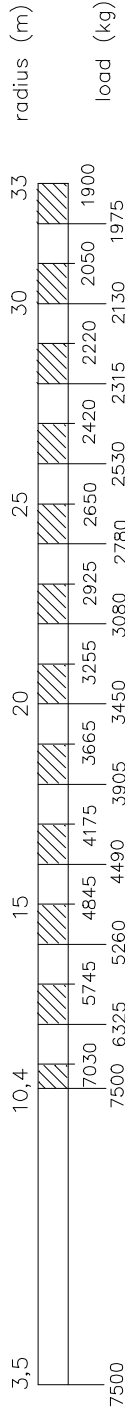
Sail area of the load max. 1,0 m<sup>2</sup> / tonne at a windforce of 8 on the Beaufortscale.

Operating temperature range from -15° to 40° C.

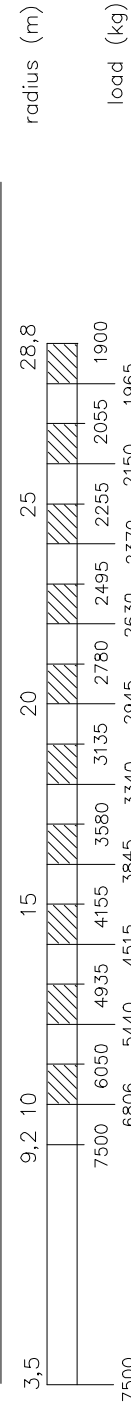
Max. line pull force 3750 kg; in all cases 2 parts of line  
 The crane should be folded in at a windforce >9 (21m/sec) or when not in use for a longer period

## LIFTING CHART Outrigger spread 6,90 m x 6,40 m

**Jib horizontal**      Hookheight 20 m (height under jib 21,9 m)

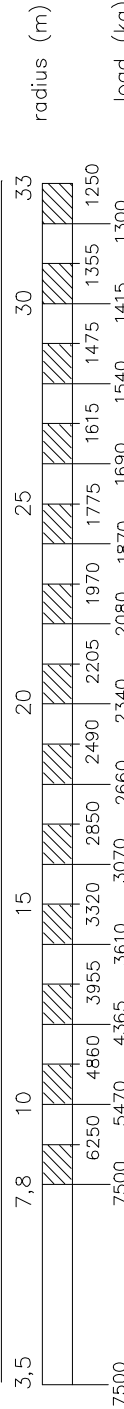


**Jib 30° luffed**      24,4      27,7      30,6      33,5      35,7      Hookheight (m)

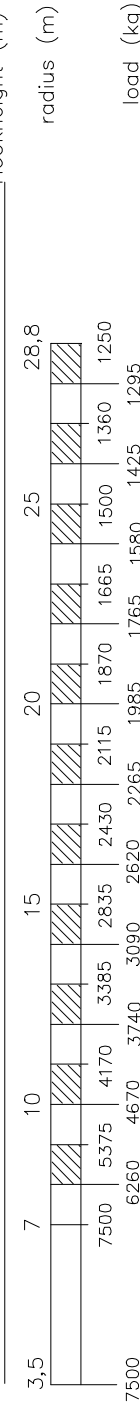


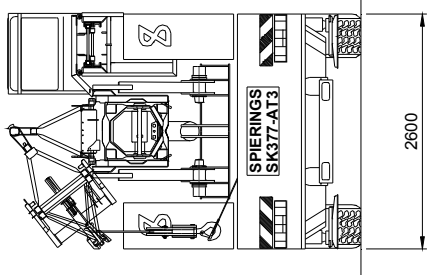
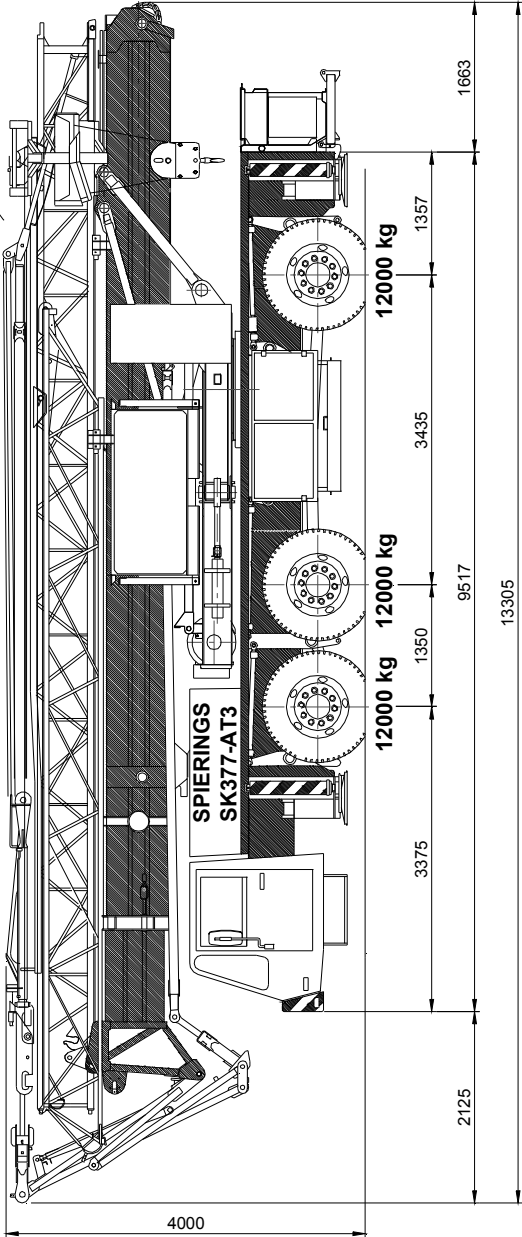
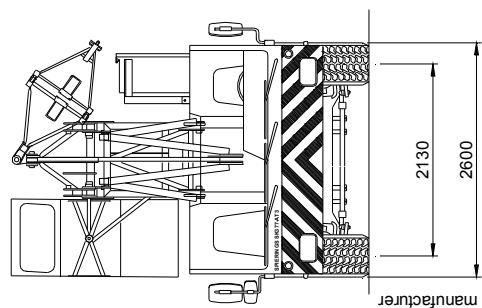
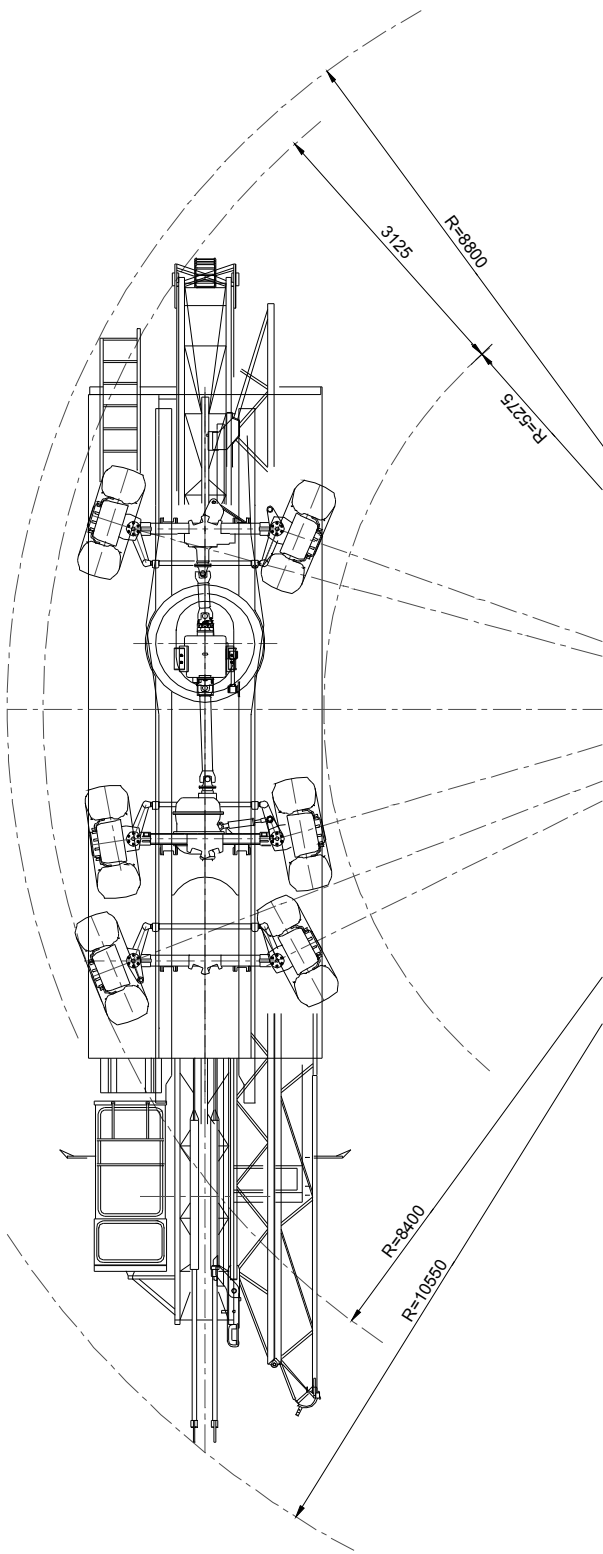
## LIFTING CHART Outrigger spread 6,90 m x 4,80 m

**Jib horizontal**      Hookheight 20 m (height under jib 21,9 m)



**Jib 30° luffed**      24,8      27,7      30,6      33,5      35,7      Hookheight (m)





SPIERINGS KRANEN BV  
 MERWEDESTRAAT 15  
 5347 KZ OSS  
 THE NETHERLANDS  
 Tel. +31 412-626964  
 Fax. +31 412-645299

# SPIERINGS HYDRAULIC FOLDING CRANE SK377-AT3

Total weight 36000 kg

# SPIERINGS HYDRAULIC FOLDING CRANE SK 377 - AT3



Merwedestraat 15  
5347 KZ Oss NL  
Tel.: +31 412 626964  
Fax: +31 412 645299

